

GENERAL FEATURES

- **TORK series S1018 (N.C and N.O) direct acting solenoid valves are 3/2 way normally closed - normally open and have small body size.**
- **Solenoid valves with three ports in body enabling convenient installation**
- **This valves can use especially on exhaust systems and pneumatic control systems**
- **On request; high pressure**
- **Suitable for non-aggressive liquids (water, light oil (2E) etc...), gaseous fluids (air, inert gases etc...)**
- Working Temperature : -10°C / +160°C
- Not suitable for use with dangerous fluids listed in Group 1
- **Don't require any differential pressure**
- Compact and low weight valve enabling and quick installation
- High reliability, quality and performance; long life, corrosion resistance
- Wide pressure ratings, range of flow rate and orifice options
- Ideal for the automatic control of media in a wide range of applications
- TORK solenoid valves satisfy relevant 97/23/EC, Pressure Equipment Directive (PED) and 2006/95/EEC Low Voltage Directive (LVD).
- Coils interchangeable
- Flow factor Kv of each valve is indicated, so that the flow Q can be calculated as a function of pressure
- Solenoid valves must be used with filtered fluids.
- Solenoid valve can be mounted in any position without affecting operation; vertical with coil upwards preferred.
- Standard pipe connection is G (BSP) (ISO 228-1) and on request; other pipe connections are available (NPT (ANSI 1.20.3))

ELECTRICAL CHARACTERISTICS

Continuous Duty : ED %100
 Coil Insulation Class : H (180°C)
 Coil Impregnation : Polyester Fiber Glass
 Coil Encapsulation Material : Fiber Glass Reinforced
 Ambient Temperature : from -10°C; +60°C
 Protection Degree : IP 65 (EN 60529) with coil duly fitted with the plug connector
 Electric Plug Connection : DIN 46340 3-poles connectors (DIN 43650)
 Connector Specification : ISO 4400 / EN 175301-803, Form A, Spade plug (Cable Ø 6-8 mm)
 Electrical Safety : IEC 335
 Standard Voltages : For AC 12V, 24V, 48V, 110V, 230V
 For DC 12V, 24V, 48V, 110 V

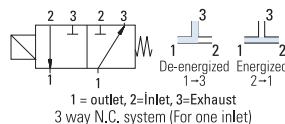
Other voltages on request;
 Voltage Tolerances : For AC -15%; +10%, For DC -5%; +10%
 Frequency : 50 Hz, other frequencies on request; (60 Hz)
 On request; connector with LED
 Specify coil voltage with order

MATERIALS IN CONTACT WITH FLUID TECHNICAL FEATURES

Body : Brass
 Internal Parts : Stainless Steel
 Sealing : FPM (VITON)
 Shading Ring : Copper
 Seats : Brass
 Core Tube : Stainless Steel
 Springs : Stainless Steel
 On request; nickel plated body
 On request; sealing can be NBR, EPDM

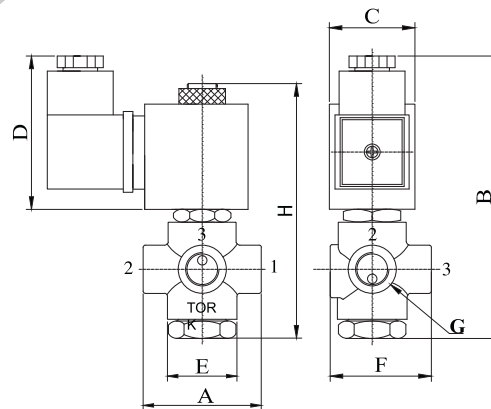
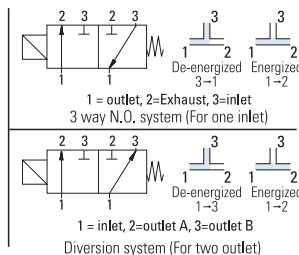
Max Viscosity : 5°E (-37cSt or mm²/s)
 Response Time : Opening Time : 30 ms
 Closing Time : 30 ms
 Maximum Allowable Pressure : 20 bar
 Fluid Temperature for NBR from -10°C; +80°C,
 for EPDM from -10°C; +140°C

Three Port



Normally Closed

Normally Open



Dimensions (mm)

	G	A	B	C	D	E	F	H
1/8"	44.2	105.5	32	57.3	26	37.8	95.2	
1/4"	44.2	105.5	32	57.3	26	37.8	95.2	

Valve Type / Order no	Connection Size	Orifice size	Pressure (for air)				KV	Fluid Temperature		Seal	Weight
			N.C System	N.O System	Diversion System	Min.		max			
S1018	G	mm	Min. Bar	Max. Bar	Max. Bar	Max. Bar	lt/min	min	°C max		(kg)
S 1018 .00.018	1/8"	1.8	0	4	7	16	1.5	-10	160	VITON	0.44
S 1018 .00.025	1/8"	2.5	0	3	4	12	3	-10	160	VITON	0.44
S 1018 .00.035	1/8"	3.5	0	1	2	10	5	-10	160	VITON	0.44
S 1018 .01.018	1/4"	1.8	0	4	7	16	1.5	-10	160	VITON	0.43
S 1018 .01.025	1/4"	2.5	0	3	4	12	3	-10	160	VITON	0.43
S 1018 .01.035	1/4"	3.5	0	1	2	10	5	-10	160	VITON	0.43

Useful Informations

1 bar : 14.5 PSI : 10 mH₂O : 10 N/cm² : 1 kg/cm² : 100000 Pa, 1 PSI : 69 mbar, 1 m³/h : 4.405 GPM : 16,7 L/d 1 Gallon / minute : 0,227 m³/h, 0°C : 89,6 F
 Sealings: NBR : Nitrile-Butylene Elastomer, FPM (VITON) : Fluoro-Carbon Elastomer, EPDM : Ethylene-Propylene Elastomer